

## WASHBASIN, WASHBASINS, WALL-MOUNTED WASHBASINS HOMMAGE

### PRODUCT INFORMATION

#### 1 . POSITION



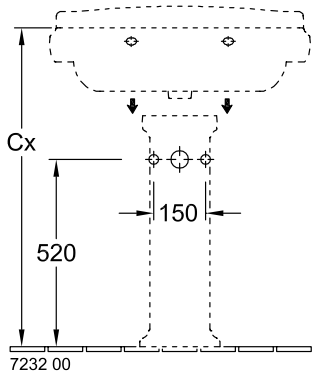
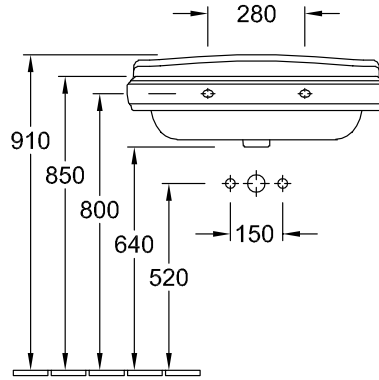
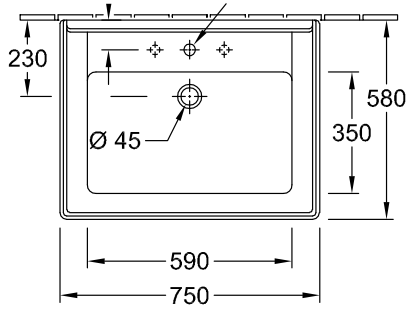
|                               |   |
|-------------------------------|---|
| Model                         | 7101A1  |
| Width                         | 750 mm  |
| Depth                         | 580 mm  |
| Weight                        | 32,7 kg   |
| Description                   | Sanitary ceramics<br>EN 31, EN 14688<br>Optionally available: Outlet valve<br>with ceramic cover.<br>Furniture programme HOMMAGE<br>to match  |
| Tap fitting / Tap hole remark | suitable for 3-hole tap fittings, 3 tap<br>holes punched out  |
| Overflow remark               | with overflow   |
| Material                      | Sanitary ceramics   |
| Specification texts           | Hommage; Washbasin; Sanitary<br>ceramics; Size: 750 x 580 mm;<br>Rectangle; suitable for 3-hole tap<br>fittings, 3 tap holes punched out;<br>with overflow; EN 31, EN 14688;<br>Optionally available: Outlet valve<br>with ceramic cover. |

### COLOURS

|                         |          |               |
|-------------------------|----------|---------------|
| White Alpin CeramicPlus | 7101A1R1 | 4022693574787 |
| Star White CeramicPlus  | 7101A1R2 | 4022693574794 |

TECHNICAL DRAWINGS

7101A1



7232 00